

Company Profile

About Us

We are pleased to introduce ourselves to leading Manufactures & Exporters of Industrial Mixers & Blenders under the brand name of **“PMIX”** located in Ahmedabad, Gujarat.

We manufacture Industrial Mixers & Blender like **Planetary Mixer, Pan Mixer, Muller Mixer, Ribbon Blender, V Blender, Double Cone Blender, etc...**and other related machinery. **We have a more than 150 models to serves in more than 25 applications**

We are focusing exclusively on high-quality and cost-effective Mixing Solutions. We are advancing at a tremendous pace and with the involvement of skilled and experienced people working in the organization. We are currently doing business in MNCs, Large Corporate, Medium-Sized Companies & other contractors.

Our Mission

Our Mission is to achieve the reputation of a quality, high standard & to provide reliable mixing solutions to all our existing and upcoming customers.

Our Vision

Our Vision is to achieve 100% customer satisfaction by delivering quality products and services at an affordable cost. Our forward vision is to strive to become an entity in Mixing based corporate solutions, capable of demanding an unconditional response from the targeted niche. We also believe that for our scope of improvisation – the sky is the limit and we are always ready to take our achievements to the next level. We are growing and would always like to remain on the growing streak.

Why “PMIX”

- Having wide Experience in Mixing
- Wide Product Range More than 150 Models for different application
- More than 1500 mixer install across India and abroad
- Supplied in 15 Countries
- Production Capacity of 500 Machines per annum
- Well Equipped Manufacturing Facility
- Test Centre Facility in our Plant
- In house design studio for special development

Clientele

About Planetary Mixer

“PMIX” Introduces Planetary Mixers are manufactured basing on German mixing technology. Having a capacity range from 50 litres to 4000 liters per batch. It's widely used for mixing refractory material, precast concrete, ultra high performance concrete, concrete block, Dry Mix Mortar, Glass fiber concrete, castable, ceramics, glass and chemicals. Depending on the type of application, the mixers can be equipped with several accessories and options to optimize their productivity and mixing quality. Whenever necessary, we work with our customers in the development of new solutions that best suit their specific needs.

How to works

Planetary mixer has a planetary motion, there are two rotations: the blades rotate around their axes and around the axis of the pan which ensures complete and effective mixing.

Advantages of Planetary Mixer

- Due to planetary mixing action, lesser mixing time is required
- More homogenous mixture is obtained due to compulsory mixing action
- Highly efficient in terms of power consumption

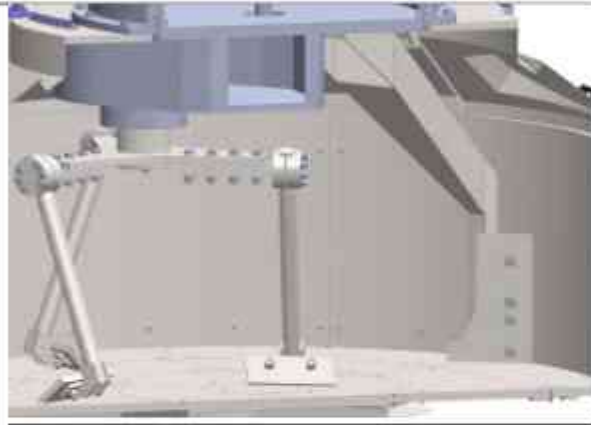
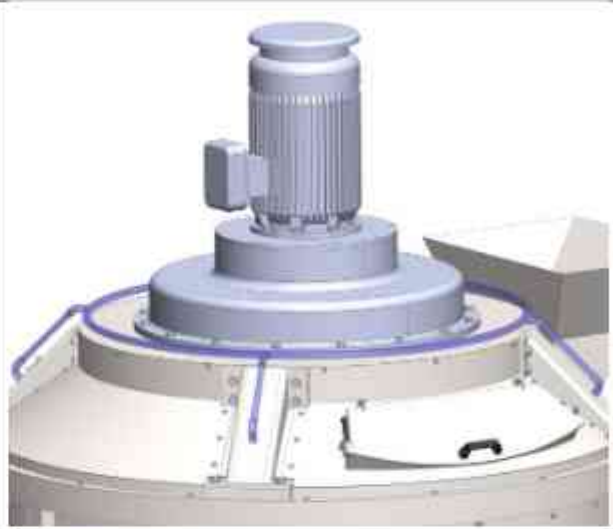
Application

- Special Concrete
- Ultra High Performance Concrete
- Glass Fiber Concrete
- Chemical
- Refractory
- Castable
- Ceramic
- Mineral
- Paver Block
- Dry Mix Mortar
- Dry Mixing
- Abrasive

Details Description of planetary mixer

Gearing system

The power transmission is realized by a hard surface gearbox which is designed specially by our company. The driving force provided by gearbox drives the mixing arms to do not only a revolution but also a rotation, and drives the scraping arms have a revolution. By this drive mode, the mixing action not only has a rotation but also has a revolution, the more complex of the motion track.

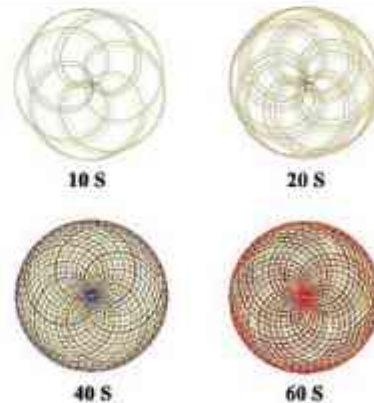


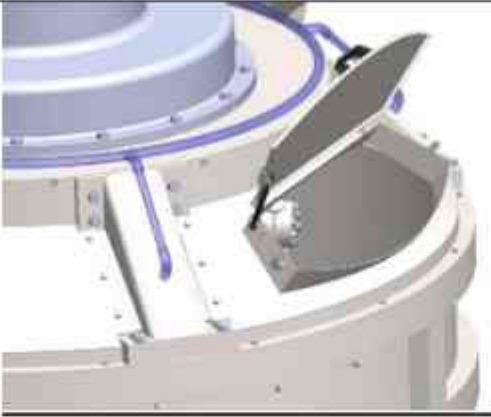
Mixing device

Driven by the gearing system, the blades fixed on mixing arms and the scrapers on scraping arms overturn the material to complete the compelling mixing.

Motion track

The movement of the material inside the trough is smooth and continuous. As shown in the picture, the blades track covers the whole bottom of the trough after a cycle.



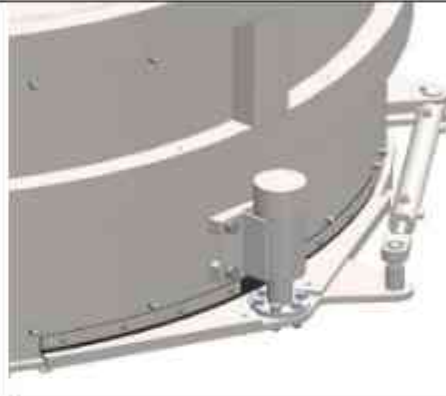


Observing Port

There is an observing port on the maintaining door. You can observe the mixing situation without cutting off power.

Discharging device

Having a swiveling type discharge door. It can be opened by hydraulic, pneumatic. There is special sealing device on the discharging door to ensure the sealing reliable.

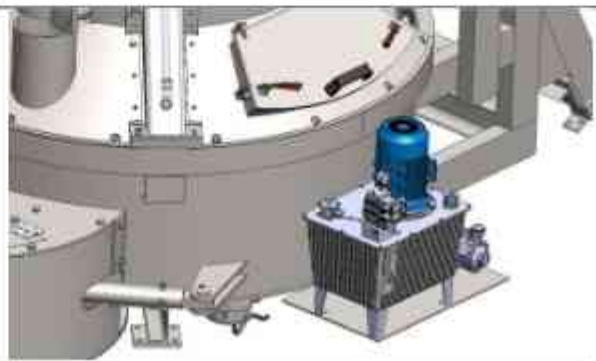


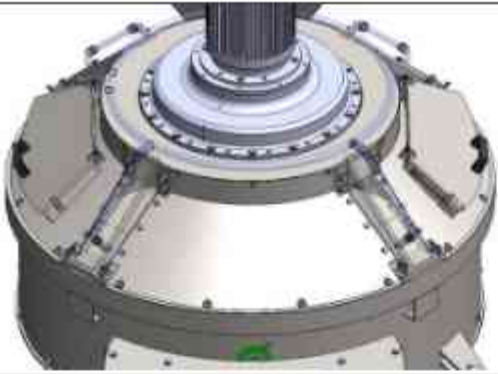
Dischrage Devise Cover

Providing also discharge cover along with dischrge chutre for more sefty

The hydraulic power unit

A special designed hydraulic power unit is used to provide power for more than one discharging gates. On emergency, these discharging gates can be opened by hand



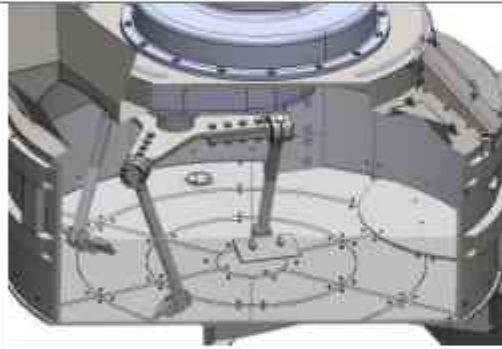
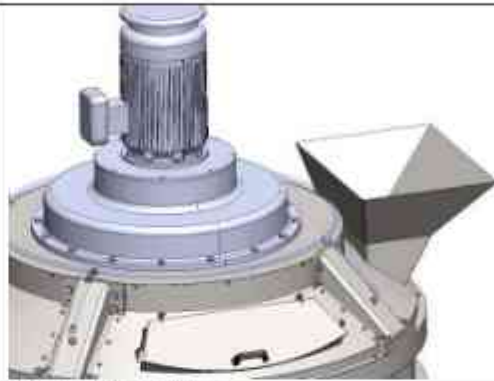


Water spray pipe

The special designed sprayer is installed on the water pipe. The spraying water cloud can cover more area and also make the mixing more homogeneous.

Charging Hopper

Providing material loading hopper for charging raw materials



LINER PLATES

Provided abrasion resistant steel liner plates for more life and reducing lifetime cost. Bolted assembly makes replacement a simple task; in addition, the wall plates are reversible to increase life even further.

Optional Equipment

Skip Hoist

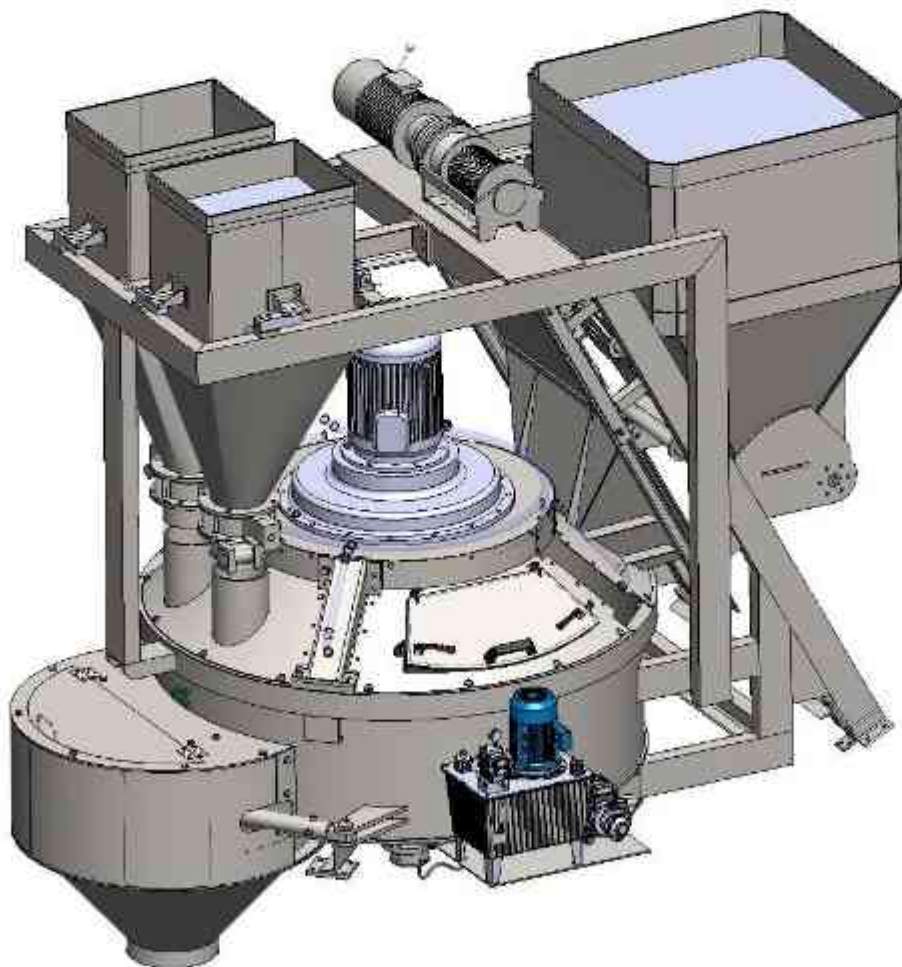
Skip hopper can be chosen according to the requirements of customers. The feeding door automatically opens when feeding, and closes when the hopper begins to descend. The device effectively prevents the dust overflow the trough during the mixing to protect the environment.

Weighing system

According to different requirements we can add aggregate weighed, cement weigher and water weigher.

Temperature and moisture sensor

Providing Temperature and moisture sensor for better quality mixing product. It is made in German can be selected.



Technical Data

Technical Data										
Particular	Model									
	PM 05 P	PM 10 P	PM 15 P	PM 20 P	PM 33 P	PM 50 P	PM 87 P	PM 100 P	PM 150 P	PM 175 P
Maximum Input (lit.)	100	150	200	300	500	750	1125	1500	1875	2250
Output Capacity (lit.)	50	100	150	200	330	500	875	1000	1500	1750
Maximum Load Capacity (kg.)	100	240	300	480	750	1200	1800	2400	3000	3600
Motor Power Input (kW/HP)	1.5/2	2.2/3	3.7/5	7.5/10	10/15	18.5/25	30/40	45/60	55/75	60/80
RPM of Slewing Body	20	20	20	13	13	12	12	10	10	10
RPM of Star Rotors	51	51	51	39	39	36	36	36	36	36
Number of Mixing Arm	3	3	3	3	3	3	3	3	6	6
Number of Scrapers	1	1	1	1	1	1	1	1	2	2
Hydurlic Power Pack Motor (KW)	0.5	0.05	1	1	2	2	3	5.5	5.5	5.5

- Capacity and Motor Power consider as per 2BD material , Can be vary as per application
- Can be customized mixer as per specific client needs
- Due to continuous development in the design, specification & dimensions are subject to change without prior notice